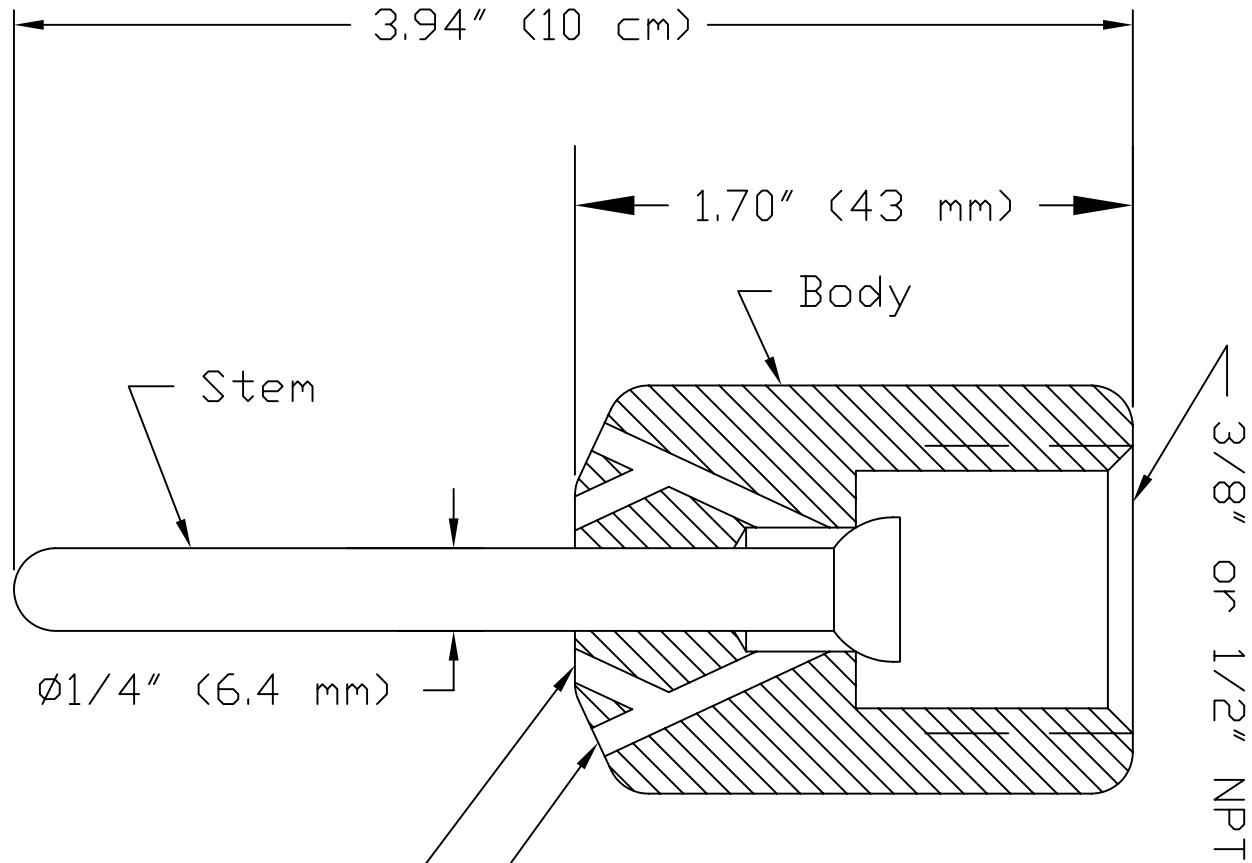
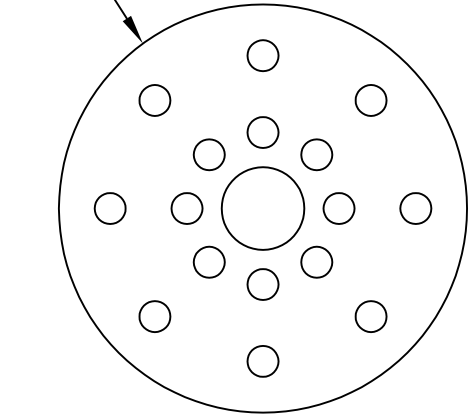


Materials of construction:

Stem is Stainless Steel
Body is Delrin or Equiv.

1-1/4"Ø (32 mm)



8 Holes $\phi 3/32"$ (2.4 mm)
Water Spray Holes.

8 Holes $\phi 3/32"$ (2.4 mm)
Water Spray Holes.
Stem Cleaning

Doering Water Miser
Order Information:

DWM-38SC	3/8" NPT
DWM-50SC	1/2" NPT

6343 RIVER ROAD SE ■ CLEAR LAKE, MN 55319 USA
Telephone: 320-743-2276 ■ Fax: 320-743-3723
mailto:doering.com ■ www.doering.com

