

KEY TABLE:

KEY	DESCRIPTION
1	Body, Stainless Steel (SST)
2	Adjusting Cap, SST.
3	Lock Nut (Jam Nut), SST.
4	O-Ring, -012, Dust Seal Protects inside of valve.
5	Spring, Stainless Steel
6	Spring Follower, SST.
7	Poppet, SST.
8	O-Ring, -006
9	Back Up Ring, -006, Teflon
10	Retainer, SST. (Permanently Installed with Loctite)

Features:

- * Stainless Steel Construction
- * Adjustable Crack Pressure
- * Low Hysteresis
- * Zero Leakage
- * Optional Factory Preset
- * 100% Seal Leakage Tested

Order Information:

Adjustment Range PSI.	Doering Order No.
Spring A: Call for Info.	2009-*A-*-0***
Spring B: 0500-1500	2009-*B-*-****
Spring C: 1500-3000	2009-*C-*-****

Mounting Thread: (1), (2), (4)

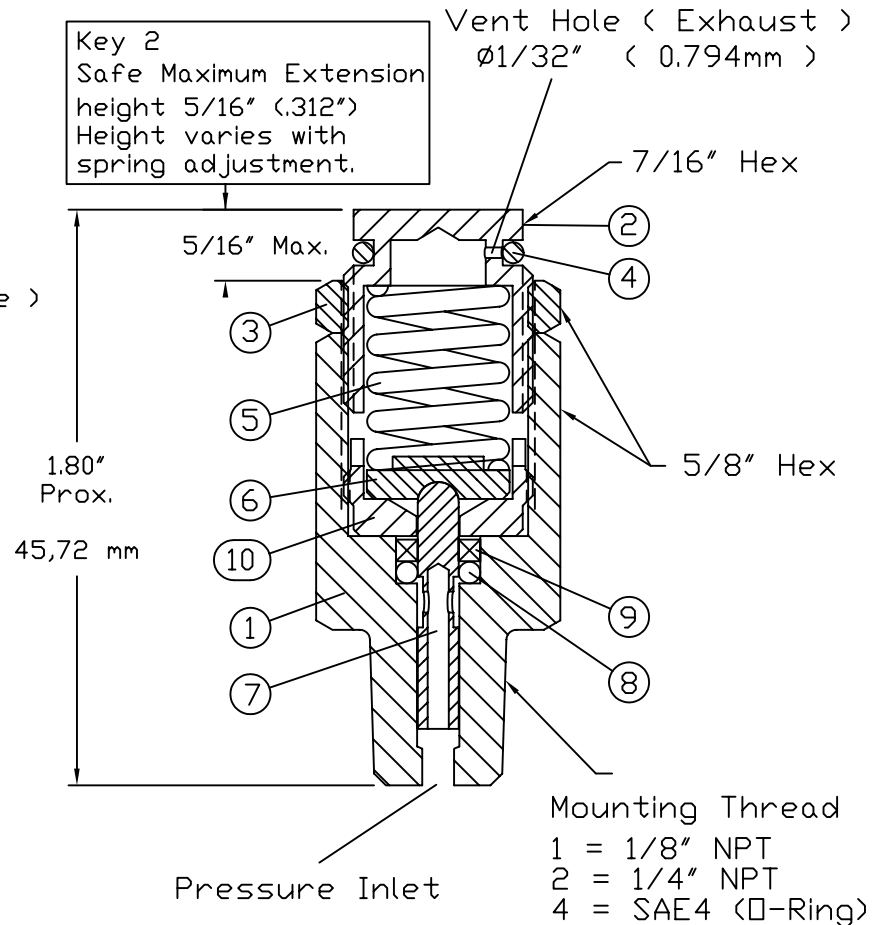
Spring Range (A), (B), (C)

Seals

Specify NN for Buna-N (Nitrile)
 Specify VV for Viton (Fluorocarbon)
 Additional Seal Materials available on request.
 First Letter Specifies Wetted seals Only
 Second Letter Specifies Key 4 Dust Seal

Specify Crack Pressure

in PSI for Factory Preset
 This will be left blank if not
 Factory Preset
 Reseal within 10% of Crack Pressure.



Mounting Thread
 1 = 1/8" NPT
 2 = 1/4" NPT
 4 = SAE4 (O-Ring)

RVS-18 Series
 Relief Valve,
 Safety Popoff

6343 RIVER ROAD SE ■ CLEAR LAKE, MN 55319 USA
 Telephone: 320-743-2276 ■ Fax: 320-743-3723
 mailbox@doering.com ■ www.doering.com

