

## Description

A screw-in, poppet type, cartridge check valve. For use as a blocking or load-holding device.

## Operation

The DCV allows flow passage from port 1 to port 2, while blocking flow in the opposite direction.

## Features and Key descriptions:

Hardened seat for long life and low leakage.  
 Optional soft seat added for more perfect seal.  
 Sold with or without poppet bias spring.  
 Please call for features or materials not listed.

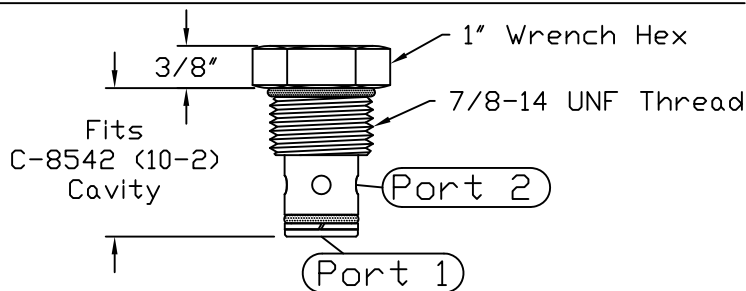
### Key: Description:

- |    |  |
|----|--|
| 1  | Inlet Port   |
| 2  | Outlet Port  |
| 3  | Seat Poppet Seal Points (Hard plus optional Soft Seal) |
| 4  | Back Up Ring, 014 Teflon (PTFE)                        |
| 5  | Seal, (-014). See Order Information.                   |
| 6  | Seal, -10 SAE (-910). See Order Information.           |
| 7  | Body Mount, SST., See Order Information.               |
| 8  | Seat, 17-4 PH SST. Heat Treated                        |
| 9  | Poppet, 17-4 PH SST. Heat Treated                      |
| 10 | Poppet Bias Spring. See Order Information.             |

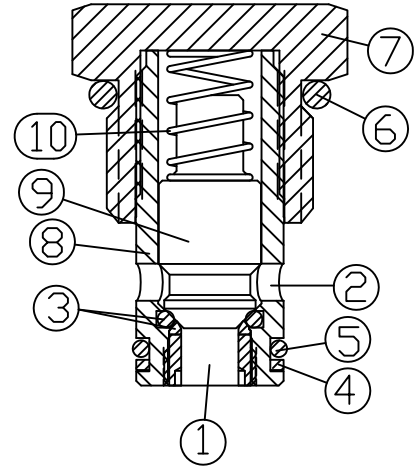
Optional Bias Spring (Key 10) to introduce back-pressure.

## Installation and Ratings:

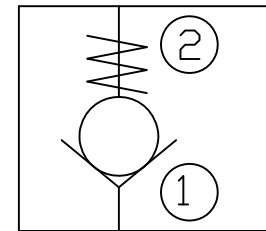
Operating Pressure: 5,000 PSI (345 bar)  
 Proof Pressure: 7,500 PSI (518 bar)  
 Temperature: -40 to 250°F (-40 to 120°C)  
 Mediums: Gas or Liquid  
 Installation: Torque - 25 ft-lbs



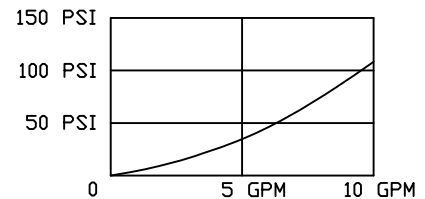
## DCV series



## Functional Symbol:



## FLOW AND PRESSURE DROP CHART. $C_v=0.9$



## Order: DCV- -10- - -

### Seat to Poppet Seal (Key 3)

- |                           |     |
|---------------------------|-----|
| Hard Seat, Hydraulic Test | H   |
| Soft Seats, Bubble Tested |     |
| Buna-N (Nitrile NBR)      | N   |
| EPR/EPDM                  | R   |
| Viton (Fluorocarbon FKM)  | V   |
| Kel-F (PCTFE)             | K   |
| Kalrez 7075               | K75 |

### Seals, External (Keys 5 & 6)

- |                          |     |
|--------------------------|-----|
| Buna-N (Nitrile NBR)     | N   |
| EPR/EPDM                 | R   |
| Viton (Fluorocarbon FKM) | V   |
| Teflon (PTFE)            | E   |
| Kalrez 7075              | K75 |

### Material, Body Mount (Key 7):

- |       |              |
|-------|--------------|
| Blank | 303/304 SST. |
| 316   | 316 SST.     |

### Poppet Bias Spring, Key 10, Crack Pressure

- |    |                           |
|----|---------------------------|
| 00 | 0 PSI (0.0 bar) No Spring |
| 03 | 3 PSI (0.2 bar) ±50%      |
| 25 | 25 PSI (1.7 bar) ±20%     |
| 40 | 40 PSI (2.8 bar) ±20%     |
| 70 | 70 PSI (4.8 bar) ±20%     |