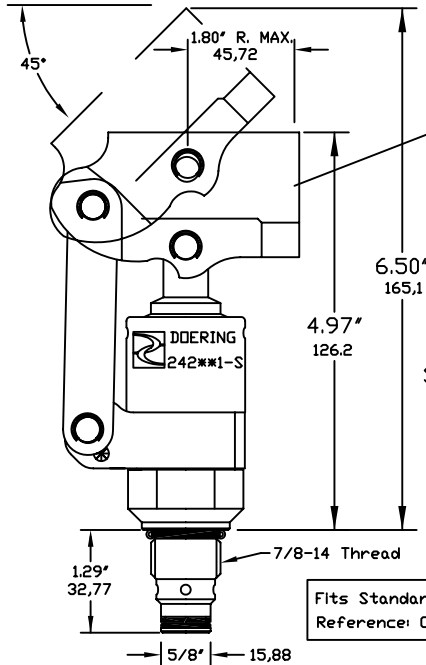
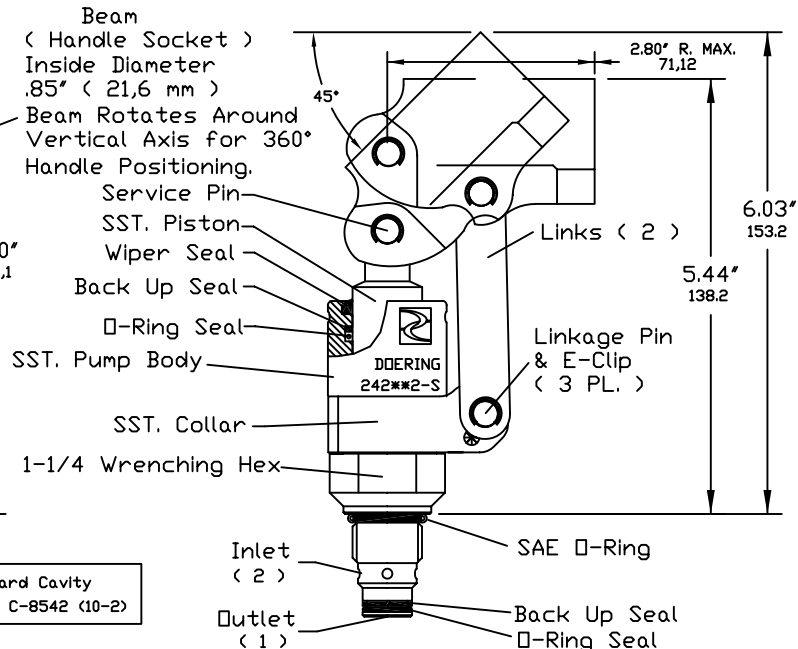


# 242-S SERIES CARTRIDGE PUMPS

Push Style Linkage:  
Push to Pressurize  
Pull to Fill Cylinder



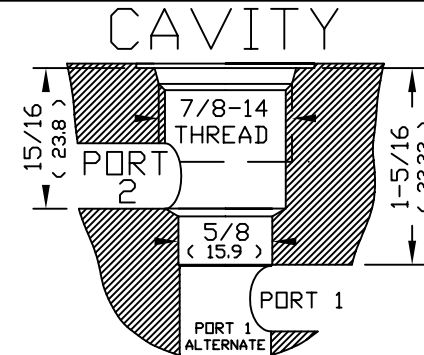
Pull Style Linkage:  
Pull to Pressurize  
Push to Fill Cylinder



Fits Standard Cavity  
Reference: C-8542 (10-2)

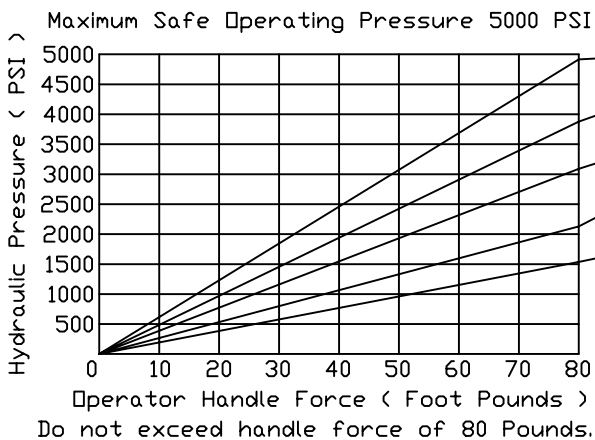
# FEATURES

Wetted parts are SST. Beam is Electroless Nickel plated Steel as standard. Can be ordered in SST. All other parts are SST. Sprung checks, zero leak with hydraulic oil. Operates in any position. Rated to 5000 PSI back pressure at port 1. Ability to generate PSIG determined by piston size. See SELECTION GRAPH.



Reference Cavity Drawing: C-8542  
Industry Standard Cavity 10-2  
Reference Form Tool: FT-8542

## PUMP SELECTION GRAPH



DISPLACEMENT, FULL STROKE, Cubic Inches	DISPLACEMENT, FULL STROKE, Cubic Centimeters	PUSH STYLE ORDER NO.	PULL STYLE ORDER NO.	HOUSING BODY NO.
.196	3,2cc	242501-S	242502-S	S8542 S8542-2 S8542-5 S8542-6 S8542-8
.249	4,0cc	242561-S	242562-S	
.307	5,0cc	242621-S	242622-S	
.442	7,2cc	242751-S	242752-S	
.601	9,8cc	242871-S	242872-S	

For Stainless Steel add Letter S to end of part number.

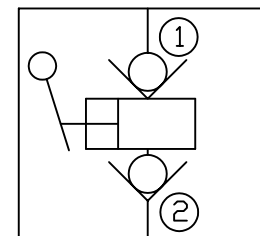
ACCESSORIES:  
Zinc Plated Handle, 16" ( 406,4 mm ), Order No. 241016  
SST. Handle, 16" ( 406,4 mm ), Order No. 241016-S

OPTIONS:  
Seal Materials: Call for quotation.

INSTALLATION: Lubricate seals.  
Use 1-1/4" Wrench. Torque to approximately 50 Foot Pounds.

# 242-S SERIES

Functional Symbol:



6343 RIVER ROAD SE ■ CLEAR LAKE, MN 55319 USA  
Telephone: 320-743-2276 ■ Fax: 320-743-3723  
mailto:doering.com ■ www.doering.com



# DOERING