

Description

A screw-in, poppet type, cartridge check valve. For use as a blocking or load-holding device.

Operation

The DCVF allows flow passage from port 1 to port 2, while blocking flow in the opposite direction.

Features and Key descriptions:

Fire Resistant Design, protects against catastrophic failure to 1200°F (649°C) for a limited time.

Keys 11 and 12 provide metal back up seals.

Designed for one time exposure to high temperatures.

Key: Description:

- | | |
|----|--|
| 1 | Inlet Port |
| 2 | Outlet Port |
| 3 | Seat Poppet Seal Points (Hard plus optional Soft Seal) |
| 4 | Back Up Ring, 014 Teflon (FEP) |
| 5 | Seal, (-014). See Order Information. |
| 6 | Seal, -10 SAE (-910). See Order Information. |
| 7 | Body Mount, SST., See Order Information. |
| 8 | Seat, 17-4 PH SST, Heat Treated |
| 9 | Poppet, 17-4 PH SST, Heat Treated |
| 10 | Poppet Bias Spring. See Order Information. |
| 11 | Metal Fire Seal (-014 SST.) |
| 12 | Metal Fire Seal, integral with Body Mount (Key 7) |

Optional Bias Spring (Key 10) to introduce back-pressure.

Installation and Ratings:

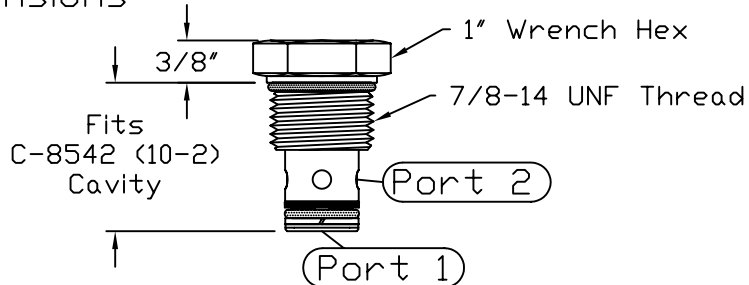
Maximum Operating Pressure: 5,000 PSI (350 bar)

Temperature: -40 to 250°F (-40 to 120°C)

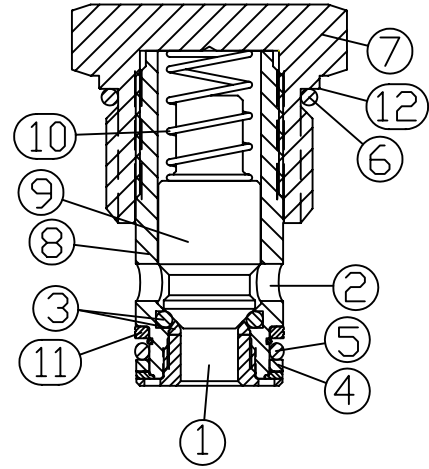
Mediums: Gas or Liquid

Installation: Torque - 25 ft-lbs

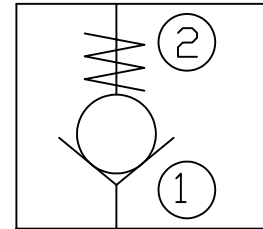
Dimensions



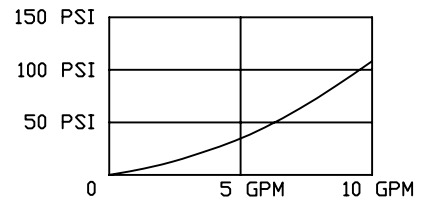
DCVF series



Functional Symbol:



FLOW AND PRESSURE DROP CHART, $C_v=0.9$



Order Information

DCVF- -10- - - -

Seat to Poppet Seal (Key 3)

Hard Seat	H
Hard Seat, Bubble Tested	HB
Soft Seat Options:	
Buna-N (Nitrile NBR)	N
Viton (Fluorocarbon FKM)	V
Teflon (FEP)	E

Material, Body Mount (Key 7):

Blank	303/304 SST.
316	316 SST.

Seals, External (Keys 5 & 6)

Buna-N (Nitrile NBR)	N
Viton (Fluorocarbon FKM)	V
Teflon (FEP)	E

Poppet Bias Spring, Key 10, Crack Pressure

00	0 PSI (0.0 bar) No Spring
03	3 PSI (.2 bar) ±50%
25	25 PSI (1.7 bar) ±20%