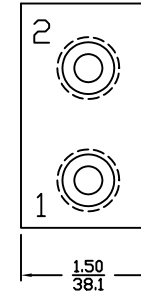
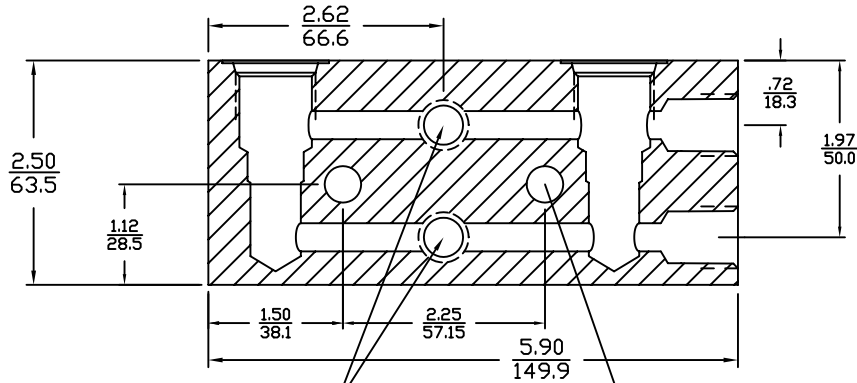


INCH
METRIC

Pump or Valve
Cavity 'A'
Doering C-8542
Industry 10-2
Spec. Sheet 1200621

Pump or Valve
Cavity 'B'
Doering C-8542
Industry 10-2
Spec. Sheet 1200621



G# (# Select Port Type)
Upper and Lower,
Front & Back (4 PL.)
Plugs not Supplied.

Mounting Holes (2 PL.)
Ø13/32 (Ref. Ø.4062)
Clearance for 3/8" or M10

ORDER INFORMATION:

S2962 -

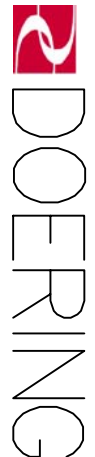
Gauge Port Options:

- Blank No Gauge Ports
- G# Gauge Ports
- Upper and Lower Location.
- Select Gauge Porting:
- G1 (1/8 NPT)
- G2 (1/4 NPT)
- G4 (SAE4, DRB)

- Ports 1 & 2**
- 1 (1/8 NPT)
 - 2 (1/4 NPT)
 - 3 (3/8 NPT)
 - 4 (SAE4, DRB)
 - 6 (SAE6, DRB)

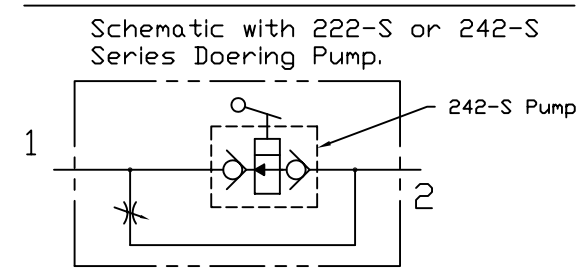
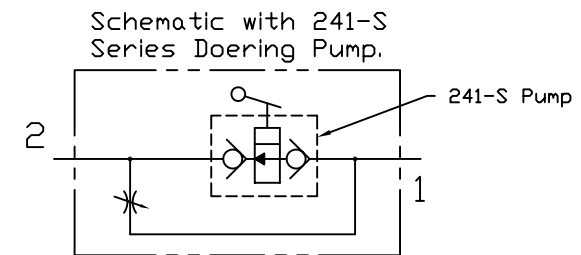
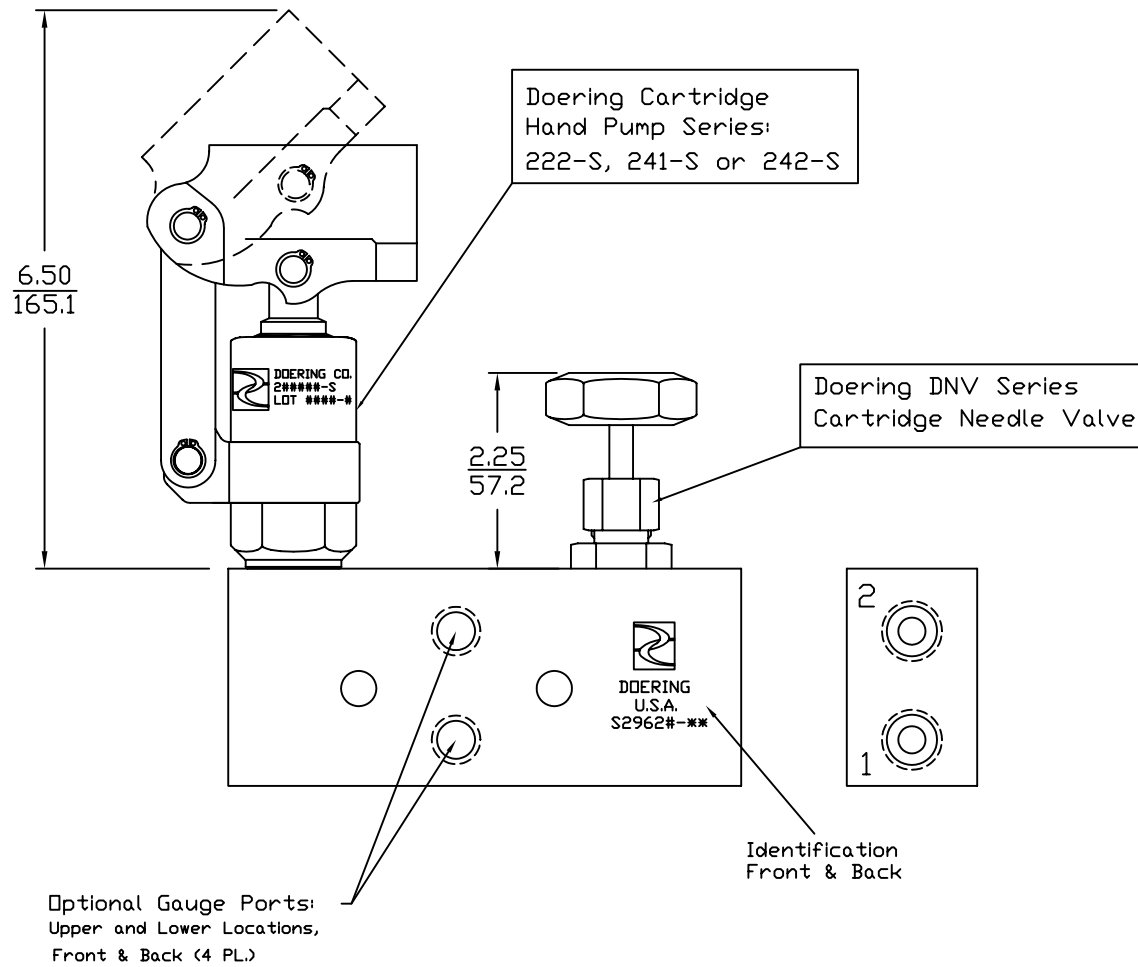
- Material Option, Pressure Rating**
Pressure Note: Double pressure rating for Port 1 only.
- Blank (6061 Aluminum) 3,000 PSIG
 - S (304 Stainless) 5,000 PSIG
 - S316 (316 Stainless) 5,000 PSIG

S2962 Series Housing
Designed for use with
222-S, 241-S or 242-S Series
Doering Cartridge Hand Pump



6343 RIVER ROAD SE ■ CLEAR LAKE, MN 55319 USA
Telephone: 320-743-2276 ■ Fax: 320-743-3723
mailbox@doering.com ■ www.doering.com

INCH
METRIC



Example Assembly:
Order Components Separately.

- S2962#-## Doering Housing. See Page 1 for Part Number Detail.
- 222###-S Doering Cartridge Pump, Ref. Spec. Sheet 1202250
- 241###-S Doering Cartridge Pump, Ref. Spec. Sheet 1202251
- 242###-S Doering Cartridge Pump, Ref. Spec. Sheet 1202252
- DNV-K-10-#-###-### Doering Needle Valve, Spec Sheet 1201273
- Gauge, Not Available through Doering at this time.

S2962 Series Housing
Illustrated with
Doering Cartridge Pump
and Needle Valve

6343 RIVER ROAD SE ■ CLEAR LAKE, MN 55319 USA
Telephone: 320-743-2276 ■ Fax: 320-743-3723
mailto:doering.com ■ www.doering.com

