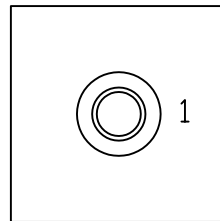
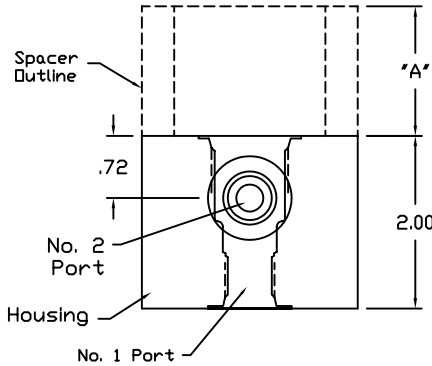
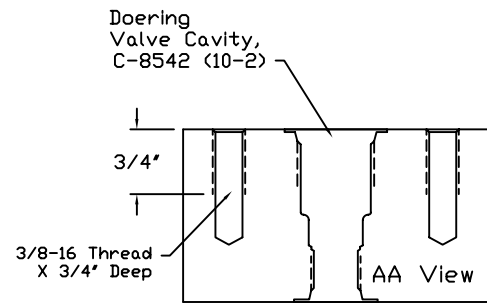
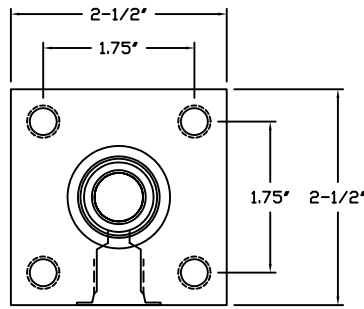
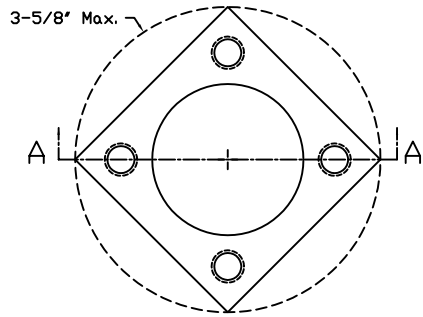


6343 RIVER ROAD SE ■ CLEAR LAKE, MN 55319 USA
 Telephone: 320-743-2276 ■ Fax: 320-743-3723
 mailbox@doering.com ■ www.doering.com



ORDER INFORMATION:

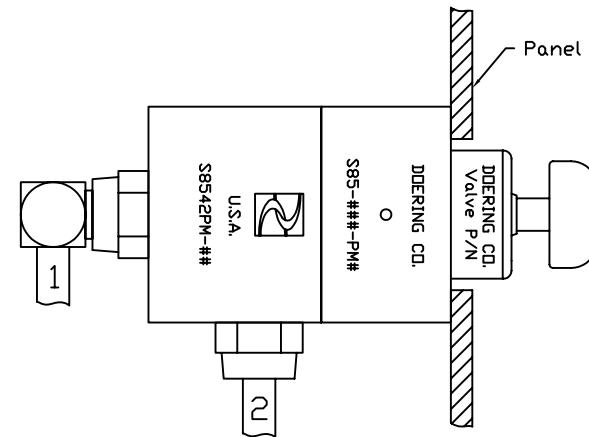
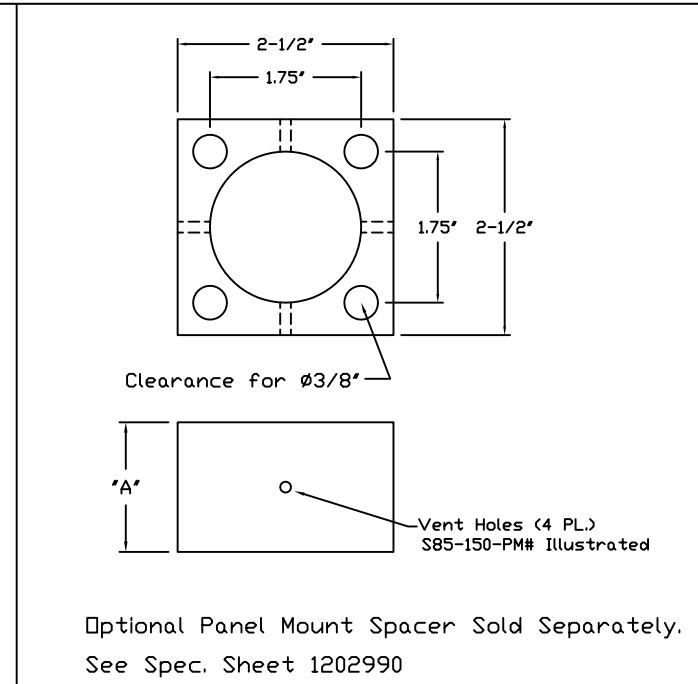
S8542PM-

Ports 1 & 2

- 1 (1/8 NPT)
- 2 (1/4 NPT)
- 3 (3/8 NPT)
- 4 (SAE4, DRB)
- 6 (SAE6, DRB)

Material Option, Pressure Rating

- Blank (6061 Aluminum)
- S (304 Stainless)
- S316 (316 Stainless)



Doering SPM Series
 Doering Panel Mount Housing

