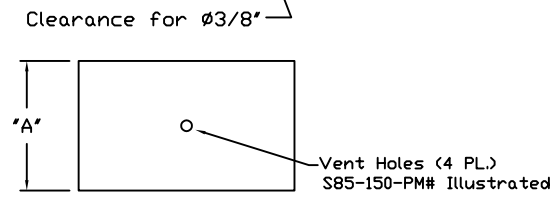
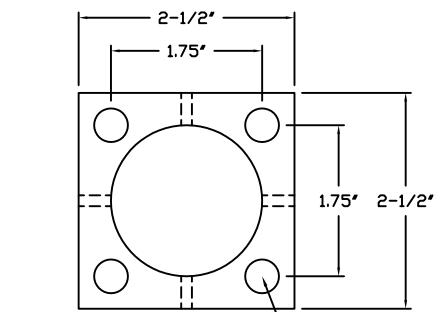
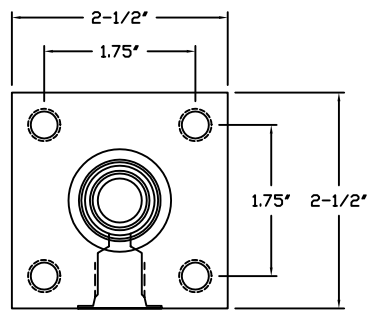
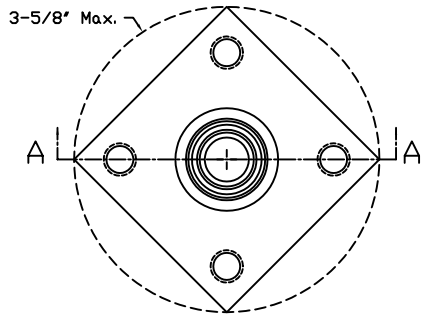
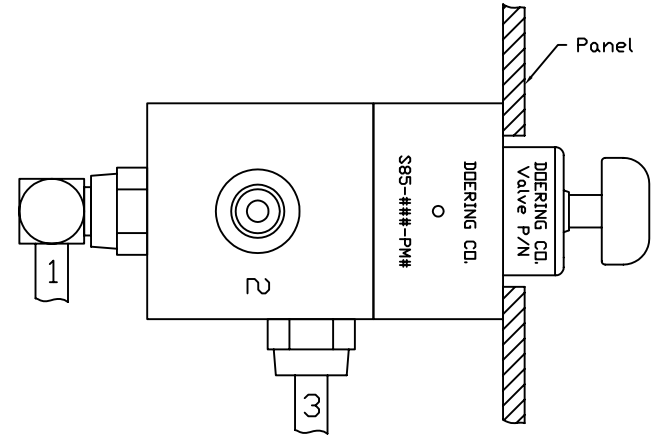
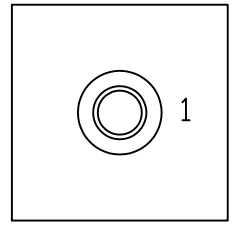
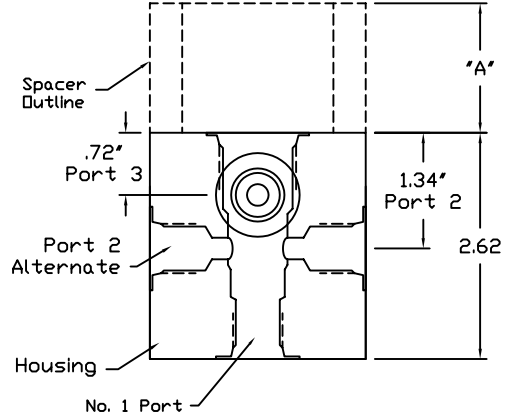
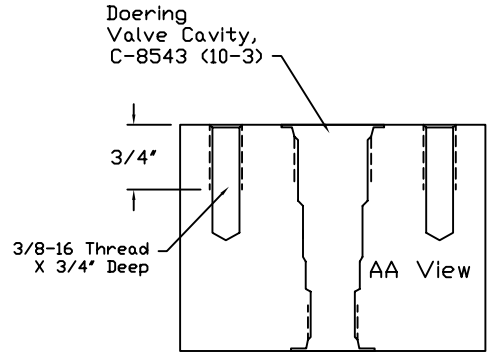


6343 RIVER ROAD SE ■ CLEAR LAKE, MN 55319 USA
 Telephone: 320-743-2276 ■ Fax: 320-743-3723
 mailbox@doering.com ■ www.doering.com



Optional Panel Mount Spacer Sold Separately.
 See Spec. Sheet 1202990



Doering SPM Series

Doering Panel Mount Housing

Aluminum Housing 3000 PSIG Rated		Stainless HOUSING 5000 PSIG Rated	
CAT. NO.	PORTING	CAT. NO.	PORTING
S8543PM-1	1/8 NPT	S8543PM-1S	1/8 NPT
S8543PM-2	1/4 NPT	S8543PM-2S	1/4 NPT
S8543PM-3	3/8 NPT	S8543PM-3S	3/8 NPT
S8543PM-4	SAE4	S8543PM-4S	SAE4
S8543PM-6	SAE6	S8543PM-6S	SAE6

Note: Port 2 Alternate Plug Not Supplied.

