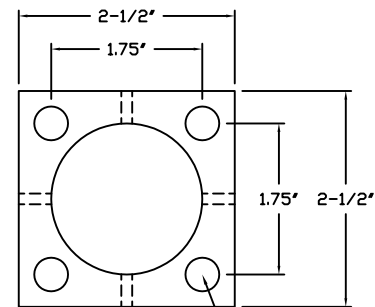
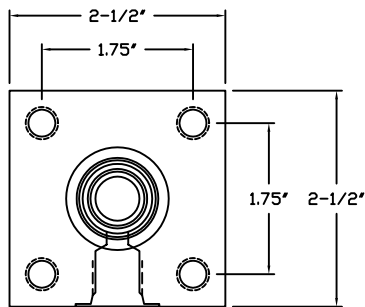
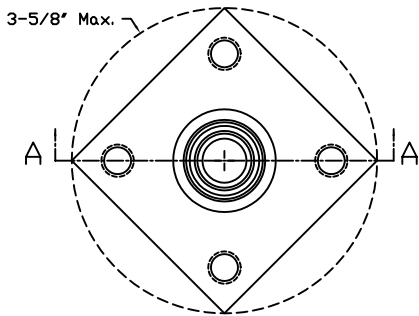
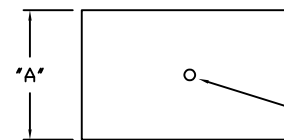


6343 RIVER ROAD SE ■ CLEAR LAKE, MN 55319 USA
 Telephone: 320-743-2276 ■ Fax: 320-743-3723
 mailbox@doering.com ■ www.doering.com



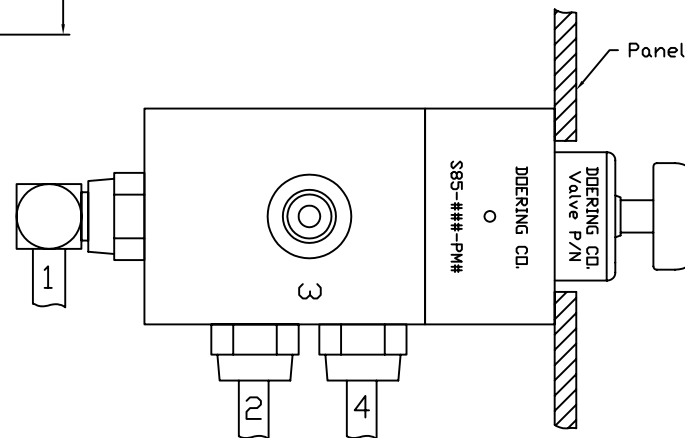
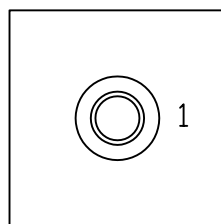
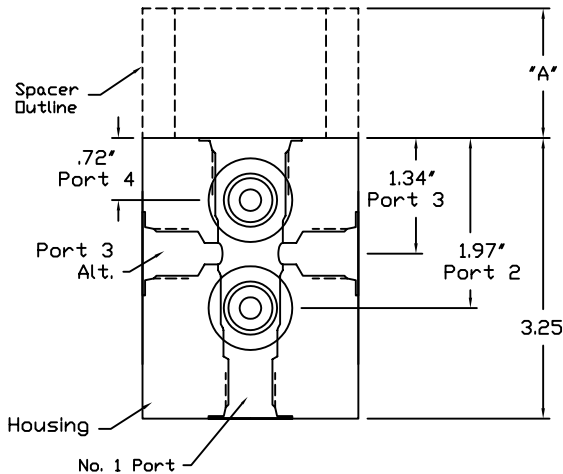
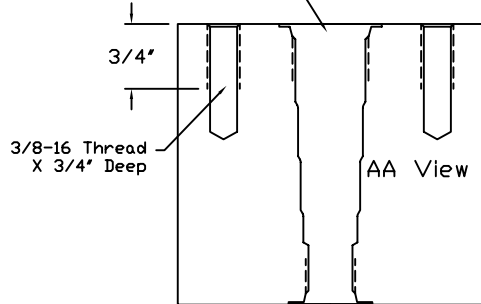
Clearance for $\phi 3/8"$



Vent Holes (4 PL.)
 S85-150-PM# Illustrated

Optional Panel Mount Spacer Sold Separately.
 See Spec. Sheet 1202990

Doering
 Valve Cavity,
 C-8544 (10-4)



Aluminum Housing
 3000 PSIG Rated

Stainless HOUSING
 5000 PSIG Rated

CAT. NO.	PORTING
S8544PM-1	1/8 NPT
S8544PM-2	1/4 NPT
S8544PM-3	3/8 NPT
S8544PM-4	SAE4
S8544PM-6	SAE6

CAT. NO.	PORTING
S8544PM-1S	1/8 NPT
S8544PM-2S	1/4 NPT
S8544PM-3S	3/8 NPT
S8544PM-4S	SAE4
S8544PM-6S	SAE6

Note: Port 3 Alternate Plug Not Supplied.

Doering SPM Series
 Doering Panel Mount Housing

