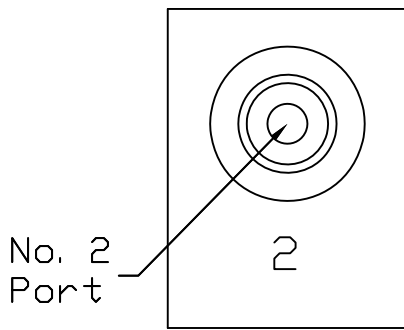


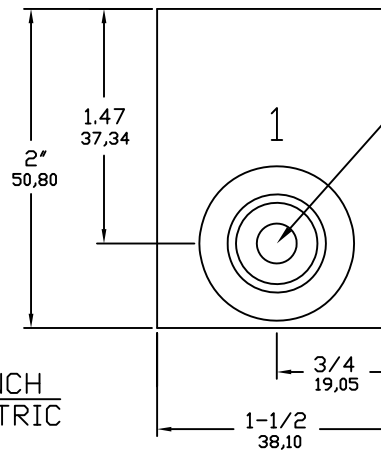
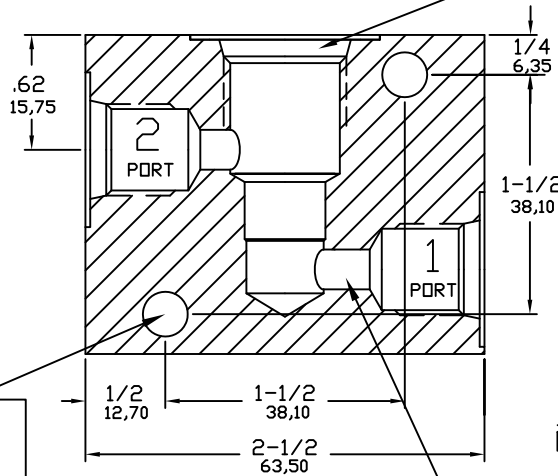
Identification
Front & Back

Valve Cavity:
Doering C-8502
Industry 8-2



No. 2
Port

Mounting Holes (2 Pl.)
9/32" Diameter,
Clearance for 1/4" or M6



No. 1
Port

INCH
METRIC

Ø1/4" Diameter
Restriction at Ports 1 & 2

ORDER INFORMATION:

S8502-

Ports 1 & 2

- 1 (1/8 NPT)
- 2 (1/4 NPT)
- 3 (3/8 NPT)
- 4 (SAE4, ORB)
- G4 (G 1/4-19 BSPP)
- 6 (SAE6, ORB)
- G6 (G 3/8-19 BSPP)

Material Option, Pressure Rating

Pressure Note: Double pressure rating for Port 1 only.

Blank	(6061 Aluminum)	3,000 PSIG
S	(304 Stainless)	5,000 PSIG
S316	(316 Stainless)	5,000 PSIG

