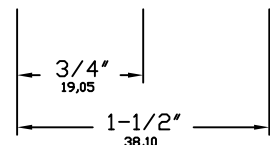
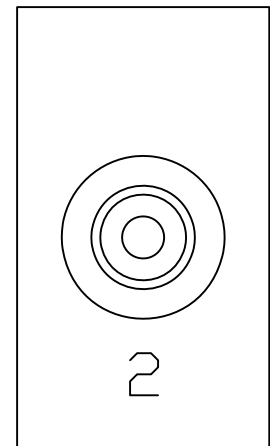
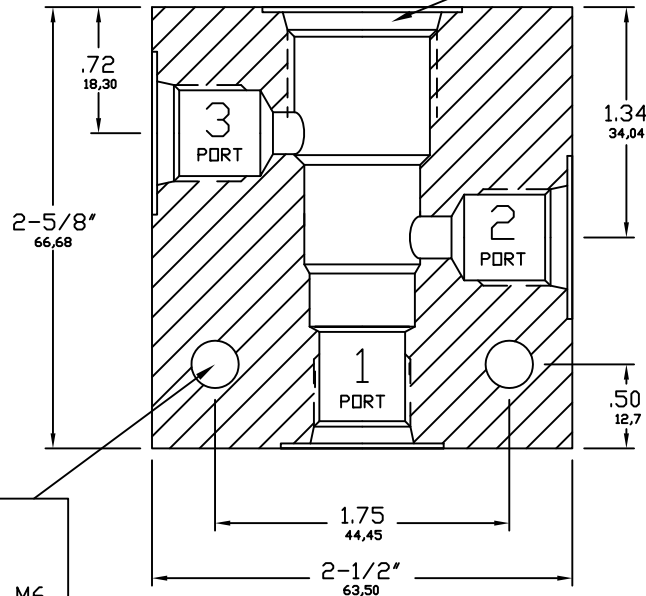
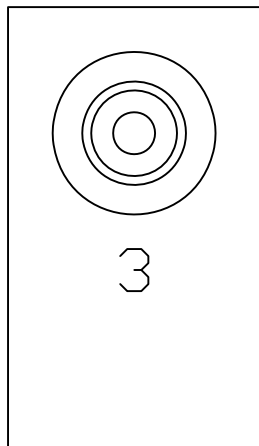


Identification  
Front & Back

Valve Cavity:  
Doering C-8543  
Industry 10-3



Mounting Holes (2 Pl.)  
9/32" Diameter,  
Clearance for 1/4" or M6

### ORDER INFORMATION:

S8543-

Ports 1, 2 & 3

1 (1/8 NPT)

2 (1/4 NPT)

3 (3/8 NPT)

4 (SAE4, ORB)

G4 (G 1/4-19 BSPP)

6 (SAE6, ORB)

G6 (G 3/8-19 BSPP)

Material Option, Pressure Rating

Blank (6061 Aluminum) 3,000 PSIG

S (304 Stainless) 5,000 PSIG

S316 (316 Stainless) 5,000 PSIG