

6343 RIVER ROAD SE ■ CLEAR LAKE, MN 55319 USA
 Telephone: 320-743-2276 ■ Fax: 320-743-3723
 mailbox@doering.com ■ www.doering.com



DOERING

DESCRIPTION:

- A screw-in cartridge, needle valve.
- Close with clockwise rotation of hand knob.
- Open with counterclockwise rotation of hand knob.
- Fits Doering C-8542 Cavity (10-2)

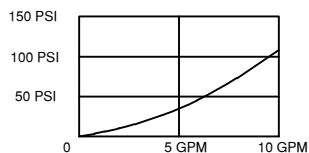
FEATURES:

- Stainless Steel Wetted Parts
- Metal Hand Knob (see order info.)
- Adjustments cannot cause parts to back out of valve.
- Positive shut off for gases or liquids.
- Pressures to 5,000 PSIG, Port 1
- Pressures to 3,000 PSIG, Port 2

NOTES:

- SST = Stainless Steel material
- Install with 20 to 30 foot pounds torque.
- Lubricate Seals and Threads before installation.

PRESSURE DROP / FLOW



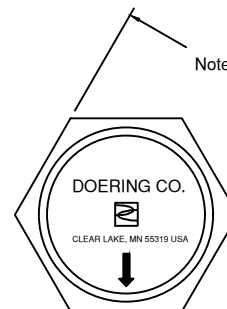
ORDER INFORMATION:

DNVF-K-10- - -

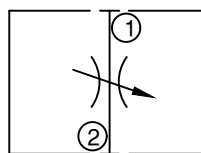
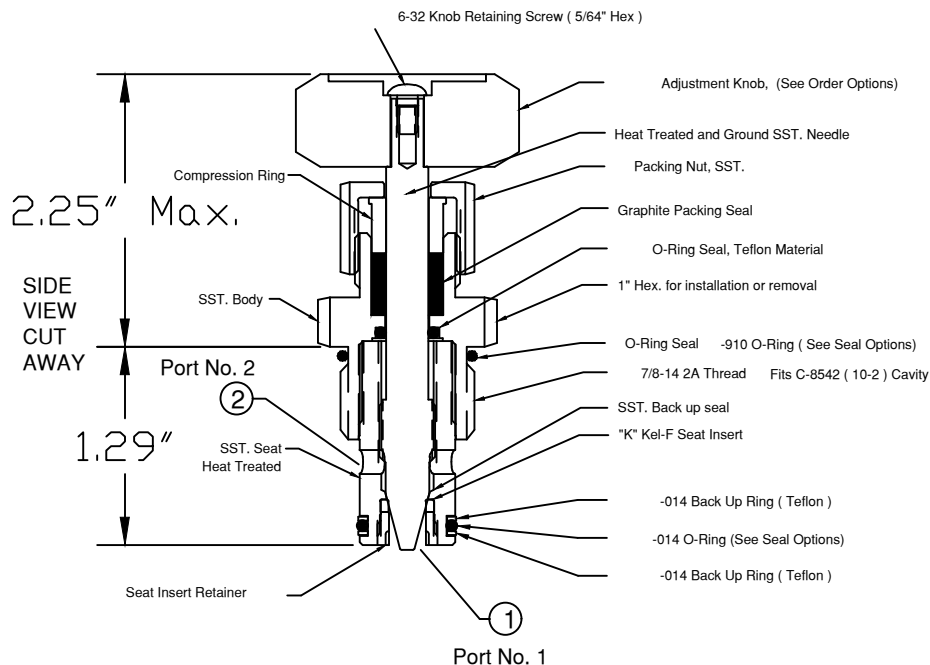
Seal Materials
 N (BUNA-N, NITRILE)
 V (VITON, FLUOROCARBON)
 E (TEFLON)

Material Option, Wetted Area
 BLANK (17-4, 303, 304)
 316 (17-4 & 316)

Knob Selection
 S075 (SST. 0.75" HEX)
 SI00 (SST. 1" HEX)
 SI25 (SST. 1.25" HEX)
 AI50 (ALUM. 1.50" HEX)



Note: See order information for dimensions and material of Hand knob.



GRAPHIC SYMBOL

**DNVF SERIES
 FIRE RESISTANT
 PRECISION
 NEEDLE VALVE**