

6343 RIVER ROAD SE CLEAR LAKE, MN 55319 USA
 Telephone: 320-743-2276 Fax: 320-743-3723
 mailbox@doering.com www.doering.com



DOERING

DESCRIPTION:

- A screw-in cartridge, needle valve.
- Close with clockwise rotation of hand knob.
- Open with counterclockwise rotation of hand knob.
- Fits Doering C-8542 Cavity (10-2)

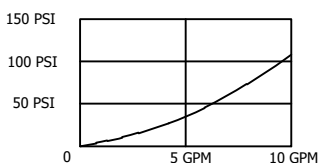
FEATURES:

- Stainless Steel Wetted Parts
- Metal Hand Knob (see order info.)
- Adjustments cannot cause parts to back out of valve.
- Kel-F soft seat (K) with metal back up seat.
- Positive shut off for gases or liquids.
- Working Pressure 5,000 psi (345 bar)
 Proof Pressure 7,500 psi (518 bar)

NOTES:

- SST = Stainless Steel material
- Install with 20 to 30 foot pounds torque.
- Lubricate Seals and Threads before installation.

PRESSURE DROP / FLOW



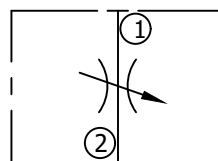
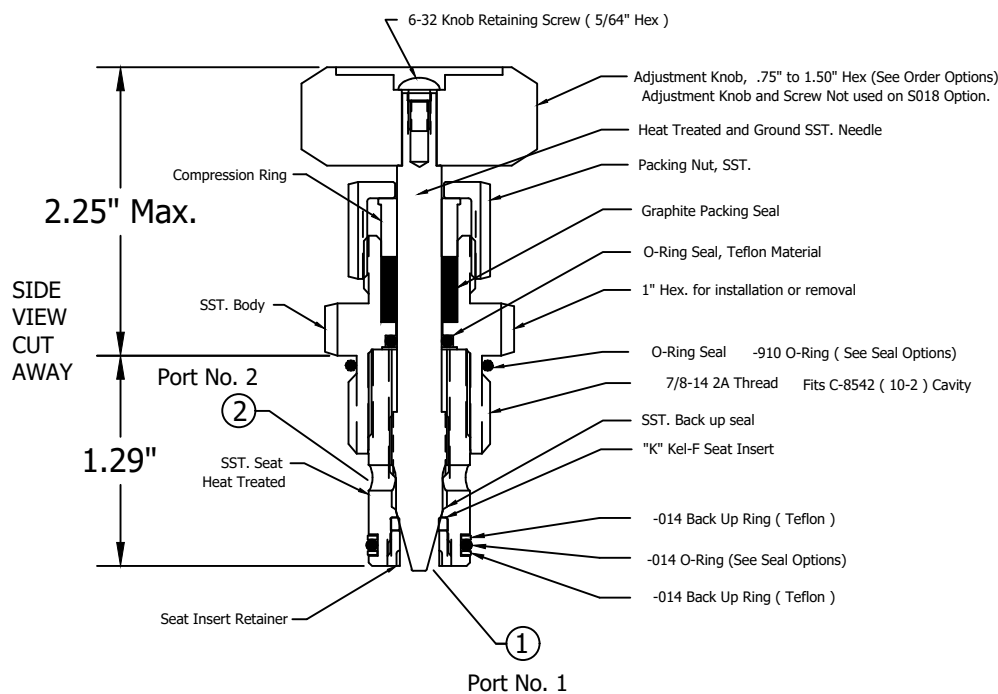
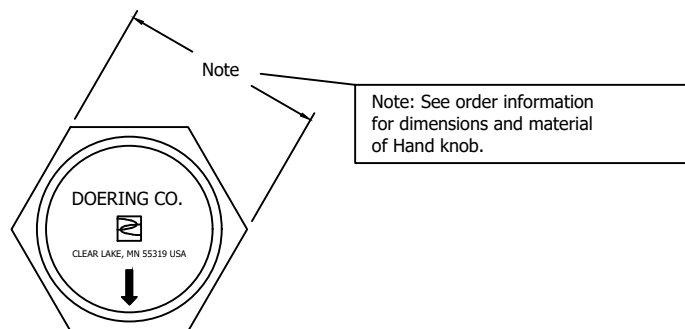
ORDER INFORMATION:

DNV-K-10-

Seal Materials
 N (Buna-N, Nitrile)
 V (Viton, Fluorocarbon)
 E (Teflon)
 R (EPR/EPDM)
 W (Low-Temp Buna-N)

Material Option, Wetted Area
 BLANK (17-4, 303, 304)
 316 (17-4 & 316)

Knob Selection
 S018 (SST. 3/16" Hex) No Knob
 S075 (SST. 0.75" Hex)
 S100 (SST. 1" Hex)
 S125 (SST. 1.25" Hex)
 A150 (Alum. 1.50" Hex)



GRAPHIC SYMBOL

DNV SERIES
 PRECISION
 NEEDLE VALVE