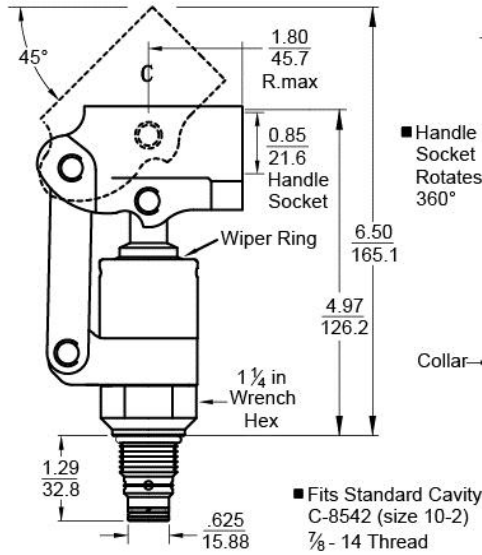


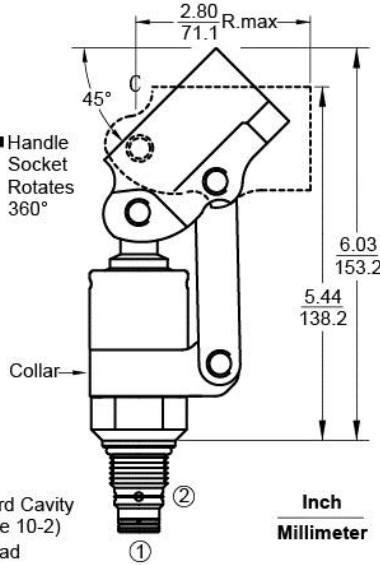
Hydraulic Cartridge Style Hand Pumps

2.1 K | 241-S Series

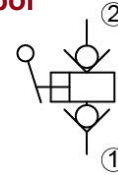
Push Style



Pull Style



Functional Symbol



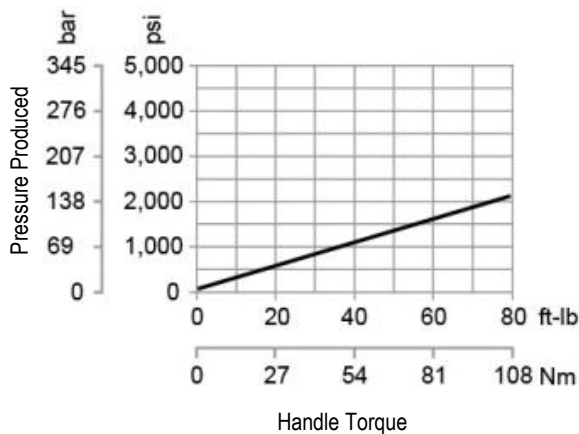
Technical

Operating Pressure	5,000 psi [345 bar]
Proof Pressure	7,500 psi [518 bar]
Produced Pressure (80 ft.-lb. handle torque)	2,100 psi [145 bar]
Displacement (Flow per stroke cycle)	0.442 cu. in. [7.2 cc]
Temperature	-40° to 248°F [-40 to 120°C]
Weight	1.8 lbs. [0.82 kg]
Installation Position	No Restrictions
Cavity	C-8542 [size 10-2]
Cavity Form Tooling	FT-8542

Performance and Operation

Maximum Operating Pressure 5,000 psi [345 bar]
Maximum Handle Torque 80 ft. lbs. [108.5 N-m]

Pressure Produced | Handle Torque



Standard Check System

Our standard check system combines Doering quality with a value price. Flow direction is from ports 1 to 2.

Installation Note

Lubricate seals and install into cavity with a 1-1/4 in. wrench. Torque to approximately 50 ft. lbs. [68 N-m].

Order Info

■ Part No. 24175

Linkage Style

- 1 = Push to Pressurize
- 2 = Pull to Pressurize

Handle Joining Option

- (Blank) = No Joining Option
- L = Lanyard and Pin
- P = Pin with E-clips

Seals

- (Blank) = Buna N O-rings
- E = Teflon® O-rings
- R = EPR/EPDM O-rings
- V = Viton® O-rings

Note: All pump back-up rings are Teflon.
Wiper ring is polyurethane.

Materials

- S = Stainless Steel with Electroless Nickel
- Plated Carbon Steel – Socket and Collar
- SS = All Components Are Stainless Steel