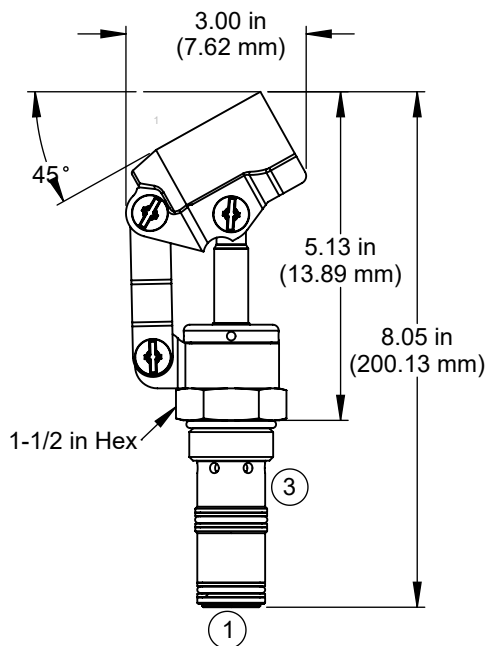
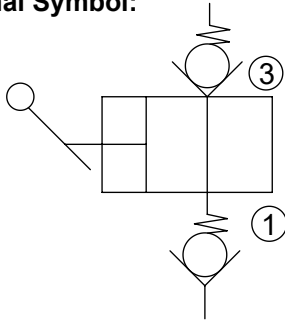


## Hydraulic Hand Pump, DCHP Series

### Functional Symbol:



### Ordering Information:

Part Number: DCHP163 X X X X - X - X

**Operating Pressure:**  
 65 = 6,500 psi (450 bar)

**Handle Joining Options:**  
 (Blank) = No joining options  
 P = Pin with Clips  
 L = Lanyard and Pin

**Seals:**  
 (Blank) = Nitrile (NBR, Buna N)  
 V = Fluorocarbon (Viton)

**Materials:**  
 S = Stainless Steel with plated beam

**Handle:** ([Spec Sheet 1201459](#))

(Blank) = No Handle  
 09 = 9" Handle  
 16 = 16" Handle  
 20 = 20" Handle  
 24 = 24" Handle

**Handle Material:**  
 (Blank) = Plated Steel  
 S = Stainless Steel

### Description:

The DCHP163 Series is a cartridge-style hydraulic hand pump, it is a double acting high pressure hand pump perfect for primary, backup, emergency power and hydrostatic testing applications. This hydraulic manual pump was designed so it can be used with many fluid types including water glycol.

### Operation:

Lifting the handle in an upward motion with piston creates suction and draws the fluid in through the inlet (port one) into chamber 1, while simultaneously pressurizing the fluid in chamber 2 and moving fluid through the outlet (port three). With a downward stroke the fluid in chamber 1 is transferred to chamber 2. The double acting hand pump moves fluid on both up and down strokes, with the balanced piston design is equal handle force on both strokes.

### Features:

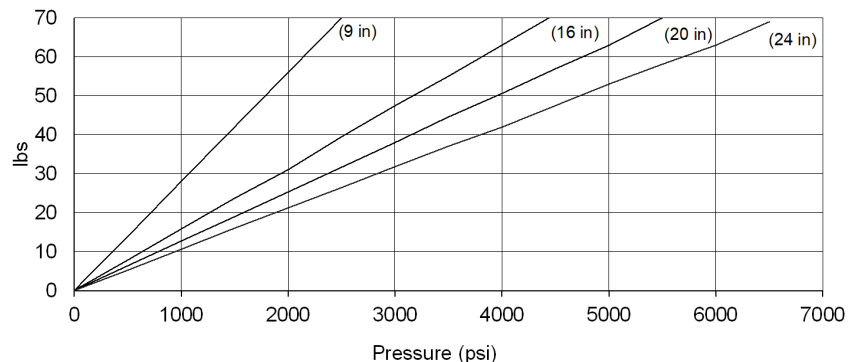
- Industry Common 16-3 Cavity
- Handle beam rotates 360 degrees
- Fluid movement on push and pull stroke out-performs single stage pump 2X
- Pump works in all orientations
- Heavy Duty, compact design
- Can be used with many fluids, including water Glycol

### Technical:

<b>Operating Pressure:</b>	6,500 psi (450 bar)
<b>Displacement:(Flow per one cycle)</b>	0.54 in <sup>3</sup> (8.87 cm <sup>3</sup> )
<b>Operating Temperatures:</b>	Nitrile (NBR, Buna N): -40 to 100 ° C (-40 to 212 ° F)
	Fluorocarbon: -26 to 204 ° C (-15 to 400 ° F)
<b>Proof Pressure:</b>	7,500 psi (517.12 bar)
<b>Cavity:</b>	C-16-3
<b>Leak Rate:</b>	< 2 drops per minute

\*Tested with: Mineral based or synthetics with lubrication properties at viscosities of 7.4 to 420 cSt (50 to 2000 sus)

### Handle Force (lbs):



### Seal Replacement Kits, External:

SRK-16-3N	Nitrile (NBR, Buna N)
SRK-16-3V	Fluorocarbon (FKM, Florel, Viton)